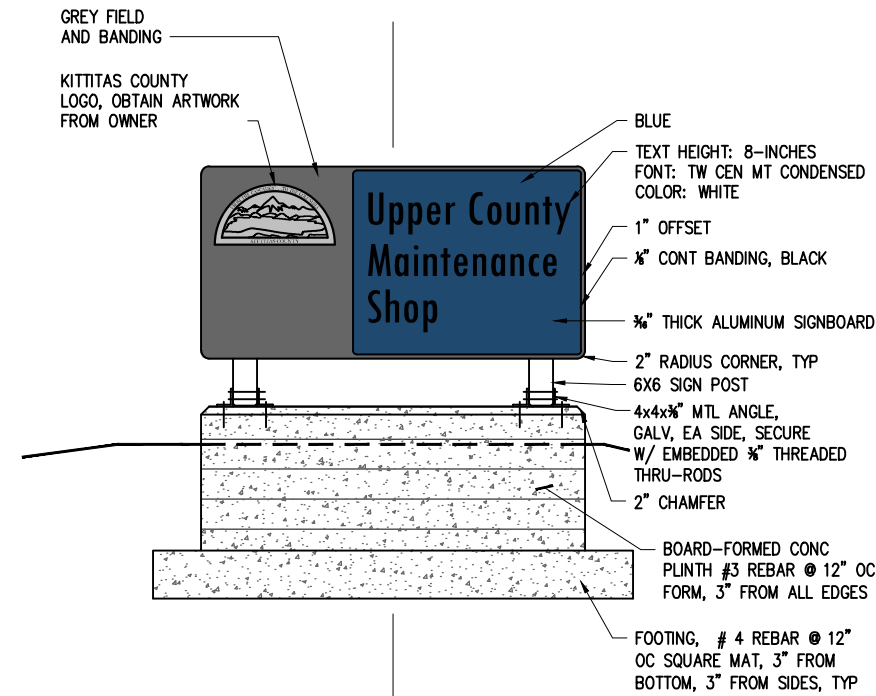
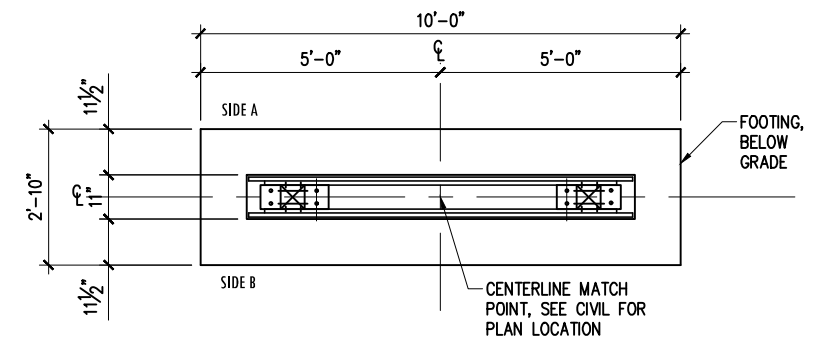


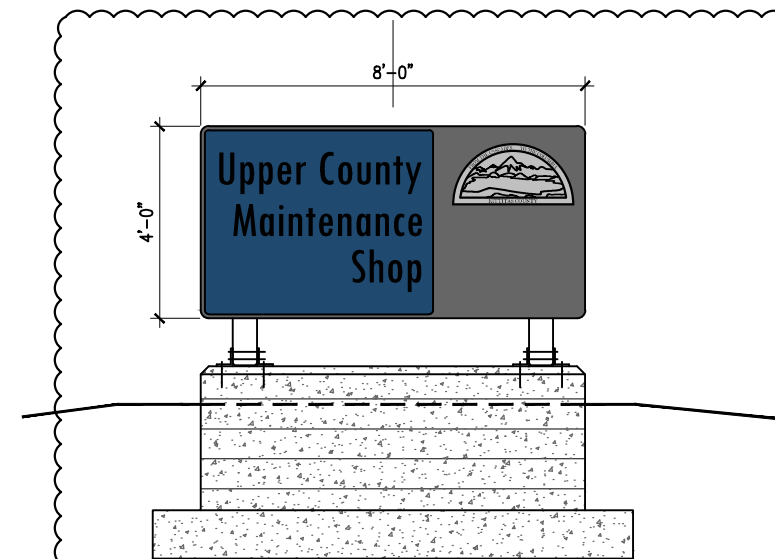
K:\PROJECTS\KITITAS CO\16144-2017 On-Call\TO #5 - UPPER COUNTY MAINT SHOP\2\_DESIGN\A\_Drawings\G1.05-SIGN.dwg 4/25/2019 1:23 PM



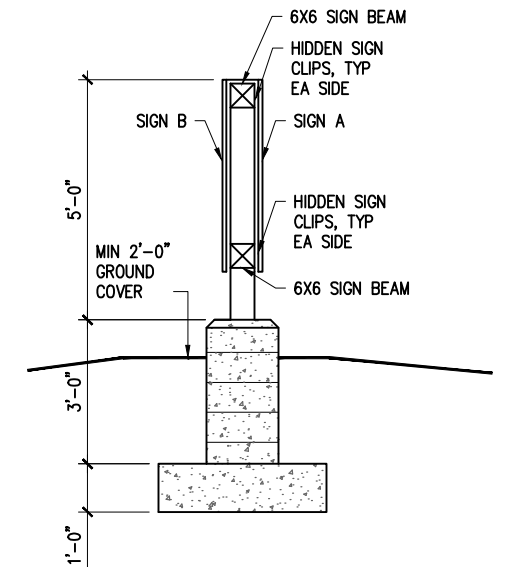
**C MONUMENT SIGN SIDE B ELEVATION**  
SCALE: 1" = 1'-0"



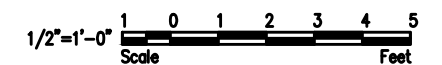
**A MONUMENT SIGN PLAN**  
SCALE: 1" = 1'-0"



**D MONUMENT SIGN SIDE A ELEVATION**  
SCALE: 1" = 1'-0"

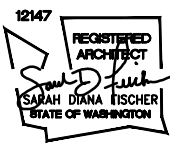


**B MONUMENT SIGN ELEVATION**  
SCALE: 1" = 1'-0"

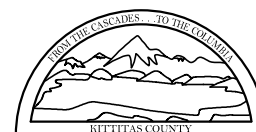


NO.	DATE	BY	APPR.	REVISIONS
1	4/25/19	JPM		RESPONSE TO PERMIT COMMENTS

Approved By		FILENAME	DATE
ENGINEERING MANAGER	DATE	S FISCHER	2018
DESIGNED BY	DATE	S FISCHER	2018
PROJECT MANAGER	DATE	DJ DEAN	2018
DRAWN BY	DATE	DJ DEAN	2018
CHECKED BY	DATE		



**BID DOCUMENTS**  
9/12/2018



**KITTITAS COUNTY**  
**UPPER ROAD MAINTENANCE**  
**FACILITY REPLACEMENT**

**GENERAL**  
**SIGN ELEVATIONS & DETAILS**